



JOURNAL PAGE

1. What does this story teach me about God or the gospel?
2. What does this story teach me about myself?
3. Are there any commands in this story to obey? How are they for God's glory and my good?
4. Are there any promises in this story to remember? How do they help me trust and love God?
5. How does this story help me to live on mission better?



Unit 12 • Session 4

GOD IS GOOD TO GIVE MERCY

Luke 18

WHAT IS MERCY? MERCY IS WHEN GOD DOES NOT GIVE US THE PUNISHMENT THAT WE DESERVE.

Jesus told a story to some people who thought they were better than everyone else.

“Two men went into the temple to pray. One man was a Pharisee,” Jesus began. Pharisees tried very hard to please God by following the rules.

“The other man was a tax collector,” Jesus said. Tax collectors were often dishonest and unfair in the way they collected money.

Jesus said, “The Pharisee stood by himself and prayed, ‘God, I thank You that I am not like that tax collector.’”

“The tax collector stood far away. The tax collector pounded on his chest and said, ‘Have mercy on me, God! I am a sinner!’”

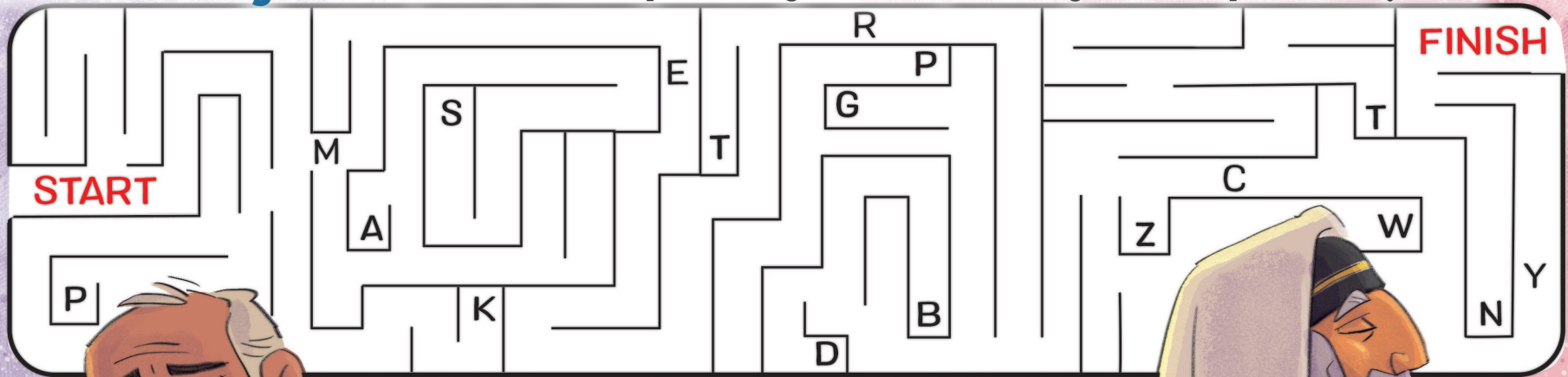
Jesus explained that God was happy with the tax collector, and He forgave him. But God was not happy with the Pharisee.

Jesus said, “If you put yourself above others, you will be put down. But if you are humble, God will honor you.”

Christ Connection: The tax collector knew he needed God to forgive him, and he cried out to God. Everyone is a sinner who needs God's mercy and forgiveness. Jesus took the punishment for our sin by dying on the cross. We can cry out to God like the tax collector and because of Jesus, God will have mercy on us.

FOLD

Hidden Message Maze | Find the correct path through the maze, collecting letters to spell out a key word.



Humble vs. Proud | Draw a line from each phrase to the person it describes.

- tried to please God by following rules
- hung his head while he prayed
- made up rules
- was sorry for his sins
- stood by himself and prayed
- pounded his chest and prayed
- begged for mercy
- bragged to God in his prayer
- stood far away to pray
- admitted he was a sinner

